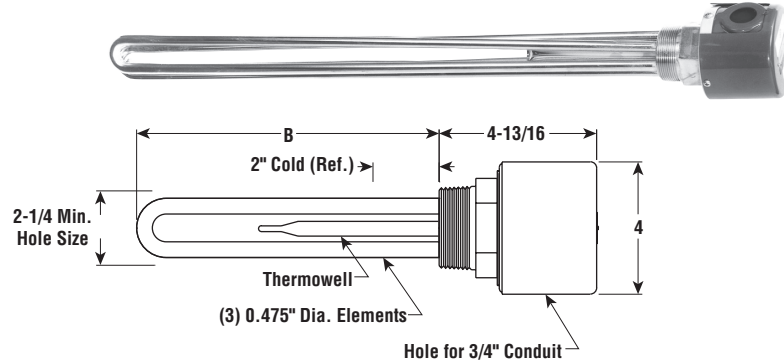


Immersion

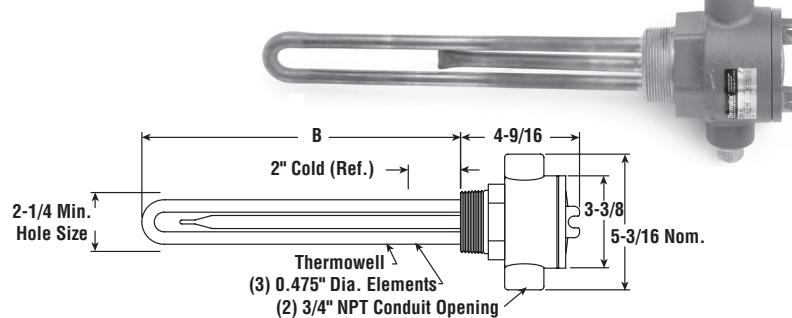
EMTO-3 Medium Weight Oil Applications

- 2" NPT Steel Screw Plug
- Steel Sheath Elements
- 15 W/In²
- 3 - 9 kW
- Without Thermostat
- 240 and 480 Volt, Three Phase
- General Purpose, Moisture Resistant/Explosion Resistant Terminal Enclosure or Moisture Resistant

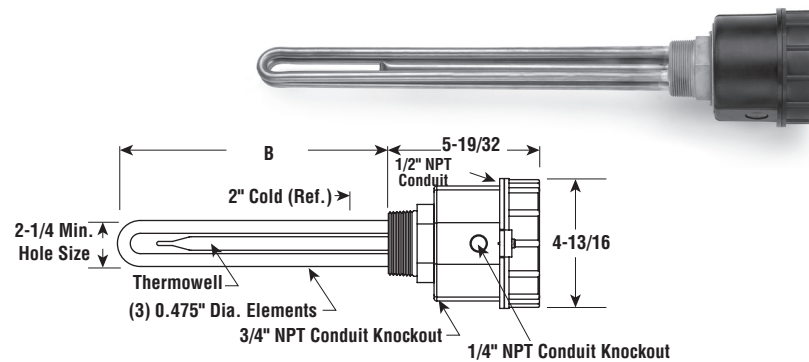
E1 — Dimensions (Inches)



E2 — Dimensions (Inches)



E4TP — Dimensions (Inches)



Specifications and Ordering Information

						E1 General Purpose ¹				E2 Moisture Resistant/ Explosion Resistant ²				E4 Moisture Resistant			
kW	Volts	Phase	W/In ²	No. Elem.	DIM B (In.)	Model	Stock	PCN	Wt. (Lbs.)	Model	Stock	PCN	Wt. (Lbs.)	Model	Stock	PCN	Wt. (Lbs.)
3	240	3	15	3	24-7/8	EMTO-3030	NS	099469	7	EMTO-3030E2	NS	035158	10	EMTO-3030E4TP	NS	061170	13
3	480	3	15	3	24-7/8	EMTO-3030	NS	099477	7	EMTO-3030E2	NS	035166	10	EMTO-3030E4TP	NS	061188	13
4	240	3	15	3	32-7/16	EMTO-3040	NS	099485	9	EMTO-3040E2	NS	035174	12	EMTO-3040E4TP	NS	061217	15
4	480	3	15	3	32-7/16	EMTO-3040	NS	099493	9	EMTO-3040E2	NS	035182	12	EMTO-3040E4TP	NS	061225	15
5	240	3	15	3	40-3/8	EMTO-3050	NS	099506	10	EMTO-3050E2	NS	035190	13	EMTO-3050E4TP	NS	061233	16
5	480	3	15	3	40-3/8	EMTO-3050	NS	099514	10	EMTO-3050E2	NS	035203	13	EMTO-3050E4TP	NS	061241	16
6	240	3	15	3	47-7/8	EMTO-3060	NS	099522	12	EMTO-3060E2	NS	035211	15	EMTO-3060E4TP	NS	061250	18
6	480	3	15	3	47-7/8	EMTO-3060	NS	099530	12	EMTO-3060E2	NS	035220	15	EMTO-3060E4TP	NS	061268	18
9	240	3	15	3	67-3/4	EMTO-3090	NS	099549	14	EMTO-3090E2	NS	035238	17	EMTO-3090E4TP	NS	061276	20
9	480	3	15	3	67-3/4	EMTO-3090	NS	099557	14	EMTO-3090E2	NS	035246	17	EMTO-3090E4TP	NS	061284	20

Stock Status: S = stock NS = non-stock
To Order—Specify model, volts, phase, kW, PCN and quantity.



Same-day shipping on stock item orders received before 4 pm CST. 3-day shipping on assembly-stock items.

1. Heaters with General Purpose Enclosures are UL Recognized and CSA Certified.
2. Heaters with Moisture Resistant/Explosion Resistant Enclosures are _CCSA_{US}® Certified.